

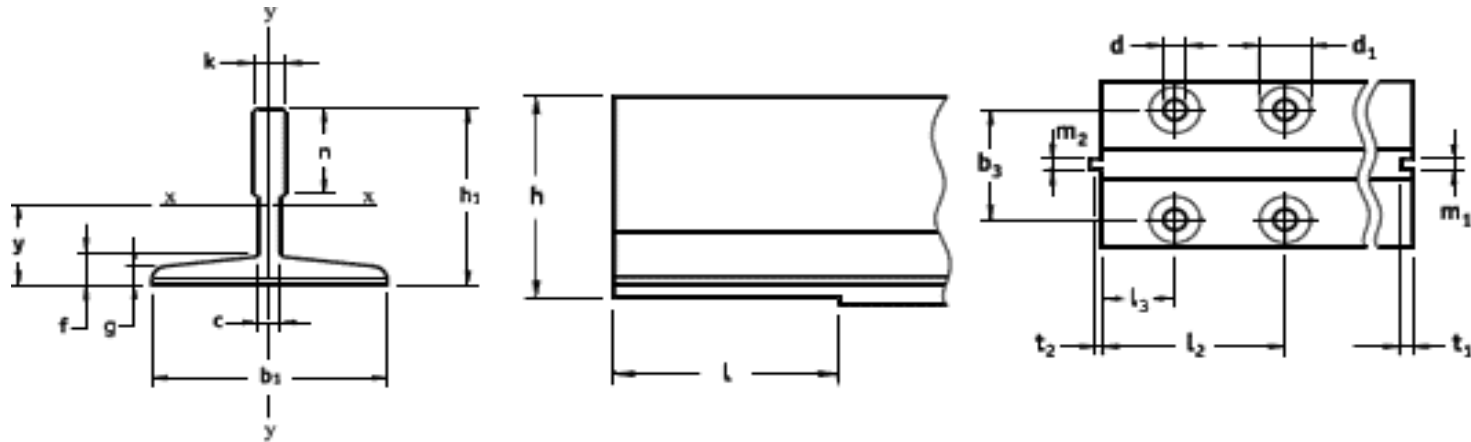


Standard Machined Guide Rails

ZZIPCO P/N	ISO 7465	q ₁ (lb/ft)	b ₁	h ₁	h	k	n	c	g	f	m ₁	m ₂	t ₁	t ₂	d	d ₁	l	b ₃	l ₂	l ₃
T89B-8F	T89/B	8.27	3.500	2.440	2.402	0.625	1.313	0.375	0.313	0.438	0.252	0.251	0.281	0.250	0.563	1.024	6.140	2.250	4.500	1.500
T89B-10F																				
T89B-16F																				
T127-1B-8F	T127-1/B	11.94	5.000	3.500	3.465	0.625	1.750	0.375	0.313	0.438	0.252	0.251	0.281	0.250	0.688	1.299	6.140	3.125	4.500	1.500
T127-1B-16F																				
T127-2B-8F	T127-2/B	15.11	5.000	3.500	3.465	0.625	2.000	0.375	0.500	0.625	0.252	0.251	0.281	0.250	0.688	1.299	6.140	3.125	4.500	1.500
T127-2B-16F																				
T140-1B-8F	T140-1/B	18.55	5.500	4.250	4.213	0.748	2.000	0.500	0.500	0.625	0.252	0.251	0.281	0.250	0.813	1.575	7.600	3.625	6.000	1.250
T140-1B-16F																				
T140-2B-8F	T140-2/B	22.79	5.500	4.020	3.976	1.125	2.000	0.688	0.563	0.688	0.252	0.251	0.281	0.250	0.813	1.575	7.600	3.625	6.000	1.250
T140-2B-16F																				

Note:

1. All dimensions in inches unless otherwise specified.
2. All standard size guide rails come in length of 8' or 16'. Standard T70B & T89B guide rails can be 10' long too. ZZIPCO Part No. ending with "8F" & "16F" represent 8' and 16' length respectively.
3. Custom machined lengths are available.
4. Certain rail sizes are in stock in US.





Standard Machined Guide Rail Packaging

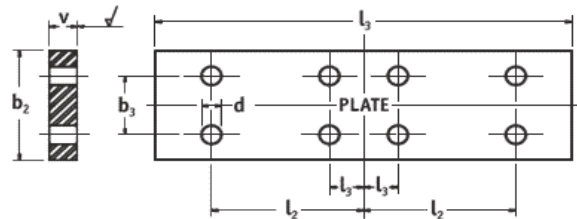
ZZIPCO P/N	ISO Code	wt/pc (lbs)	pcs/bundle	wt/pc (lbs)	pcs/container
T70B-8F	-----	50	8	400	768
T70B-10F		63	8	500	608
T70B-16F		100	8	800	384
T89B-8F	T89/B	66	8	530	576
T89B-10F		83	10	827	460
T89B-16F		132	8	1,058	288
T114B-8F	-----	89	8	712	432
T114B-16F		178	8	1,423	216
T127-1B-8F	T127-1/B	96	8	764	400
T127-1B-16F		191	8	1,528	200
T127-2B-8F	T127-2/B	121	8	967	312
T127-2B-16F		242	8	1,936	156
T140-1B-8F	T140-1/B	148	8	1,187	256
T140-1B-16F		297	4	1,187	128
T140-2B-8F	T140-2/B	182	8	1,458	208
T140-2B-16F		365	4	1,458	104
T140-3B-8F	T140-3/B	247	8	1,978	152
T140-3B-16F		495	4	1,978	76

Fishplate Products



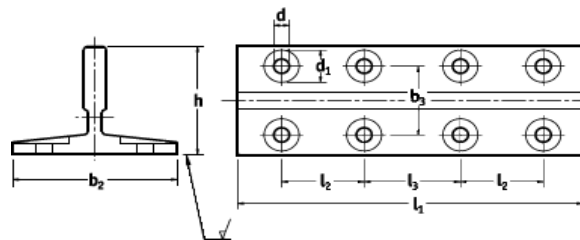
Standard Fishplates

ZZIPCO P/N	Rail Size	wt/pc (lbs)	d	b ₂	b ₃	l ₁	l ₂	l ₃	v	ZZIPCO Fastener Part No.
FP-70	T70	4.68	0.563	2.750	1.813	12.000	4.500	1.500	0.500	FST-10
FP-89	T89	7.44	0.563	3.500	2.250	12.000	4.500	1.500	0.630	FST-10
FP-114	T114	11.49	0.688	4.500	2.625	12.000	4.500	1.500	0.750	FST-20
FP-127	T127-1 & T127-2	12.76	0.688	5.000	3.125	12.000	4.500	1.500	0.750	FST-20
FP-140	T140-1 & T140-2	22.62	0.813	5.500	3.625	14.500	6.000	1.250	1.000	FST-30
FP-1403	T140-3	28.27	0.813	5.500	3.625	14.500	6.000	1.250	1.250	FST-30



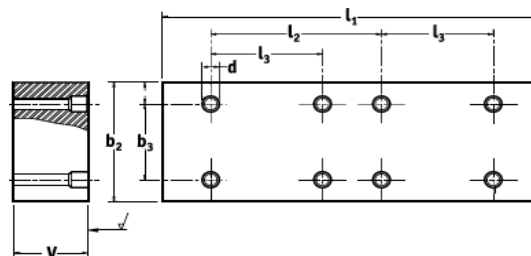
Seismic T-Plates

ZZIPCO Part No.	Rail Size	wt/pc (lbs)	d	d ₁	b ₂	b ₃	l ₁	l ₂	l ₃	h	ZZIPCO Fastener Part No.
SFP-89	T89	8.27	0.563	1.024	3.500	2.250	12.000	3.000	3.000	2.440	FST-10
SFP-114	T114	11.12	0.688	1.299	4.500	2.625	12.000	3.000	3.000	3.500	FST-20
SFP-1272	T127-2	15.11	0.688	1.299	5.000	3.125	12.000	3.000	3.000	3.500	FST-20
SFP-1401	T140-1	22.41	0.813	1.575	5.500	3.625	14.500	4.750	2.500	4.250	FST-30
SFP-1402	T140-2	27.54	0.813	1.575	5.500	3.625	14.500	4.750	2.500	4.000	FST-30
SFP-1403	T140-3	37.35	0.813	1.575	5.500	3.625	14.500	4.750	2.500	5.000	FST-30



Minimum Clearance Seismic Fishplates

ZZIPCO Part No.	Rail Size	wt/pc (lbs)	d	b ₂	b ₃	l ₁	l ₂	l ₃	v	ZZIPCO Fastener Part No.
MFP-89	T89	20.09	0.563	3.500	2.250	12.000	6.000	3.000	1.687	FST-10
MFP-114	T114	34.54	0.688	5.000	2.620	12.000	6.000	3.000	2.200	FST-20
MFP-1272	T127-2	38.37	0.688	5.000	3.125	12.000	6.000	3.000	2.255	FST-20
MFP-1401	T140-1	62.49	0.813	5.500	3.625	14.500	7.250	4.750	2.763	FST-30
MFP-1402	T140-2	65.57	0.813	5.500	3.625	14.500	7.250	4.750	2.899	FST-30
MFP-1403	T140-3	84.61	0.813	5.500	3.625	14.500	7.250	4.750	3.741	FST-30



Note:
All dimensions in inches unless otherwise specified.



Fishplate Fastener Kits

ZZIPCO Fastener Kit P/N	wt/pack (lbs)	Bolt ³		Nut ⁴		Flat Washer ⁵		Lock Washer ⁶	
		Qty	Spec	Qty	Spec	Qty	Spec	Qty	Spec
FST-10	1.82	8	1/2 x 2	8	1/2	8	1/2	8	1/2
FST-20	3.42	8	5/8 x 2 1/4	8	5/8	8	5/8	8	5/8
FST-30	5.87	8	3/4 x 3	8	3/4	8	3/4	8	3/4

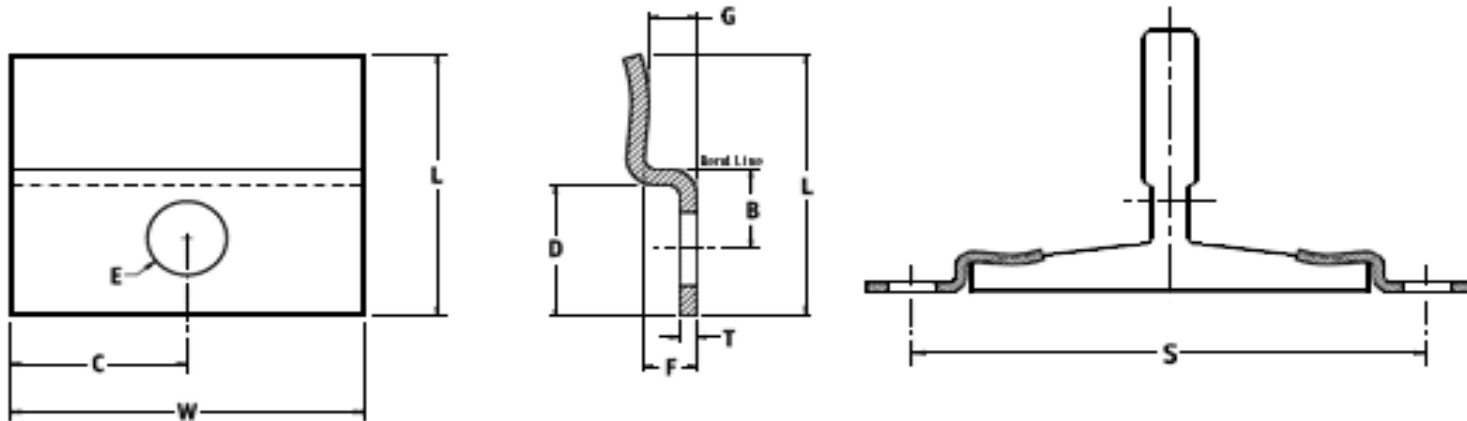
Note:

1. All dimensions in inches unless otherwise specified.
2. Each fastener part number represents a fastener package to go with one piece of fishplate. It includes a pack of 8 sets of bolts, nuts, flat washer & lock washer sealed in a plastic bag.
3. All the bolts are UNC hex cap screw made per SAE J429 grade 5 (ASTM A449 equivalent)
4. All the nuts are UNC hex cap screw made per SAE J429 grade 5.
5. All the flat washers are USS flat washers.
6. All the lock washers are regular helical spring lock washers conform to ANSI/ASME B18.21.1. Material SAE 1055 grade carbon steel, HRC38-46.

SLIDING CLIPS

Recommended for applications where guide rail stack movement is required due to thermal expansion or building settlement such as high-rise buildings.

ZZIPCO P/N	Rail Size	wt/pc (lbs)	l	w	b	c	d	e	f	g	t	s
SRC-10	T89	0.20	2.000	2.500	0.531	1.250	1.000	0.563	0.375	0.281	0.125	4.56
SRC-20	T114	0.49	2.688	3.000	0.813	1.500	1.250	0.688	0.375	0.313	0.188	6.13
	T127-1	0.49	2.688	3.000	0.813	1.500	1.250	0.688	0.375	0.313	0.188	6.63
SRC-30	T127-2	0.52	2.750	3.000	0.781	1.500	1.250	0.688	0.563	0.500	0.188	6.63
	T140-1	0.52	2.750	3.000	0.781	1.500	1.250	0.688	0.563	0.500	0.188	6.56
SRC-40	T140-2	0.61	3.200	3.500	1.000	1.750	1.813	0.813	0.526	0.479	0.188	7.07

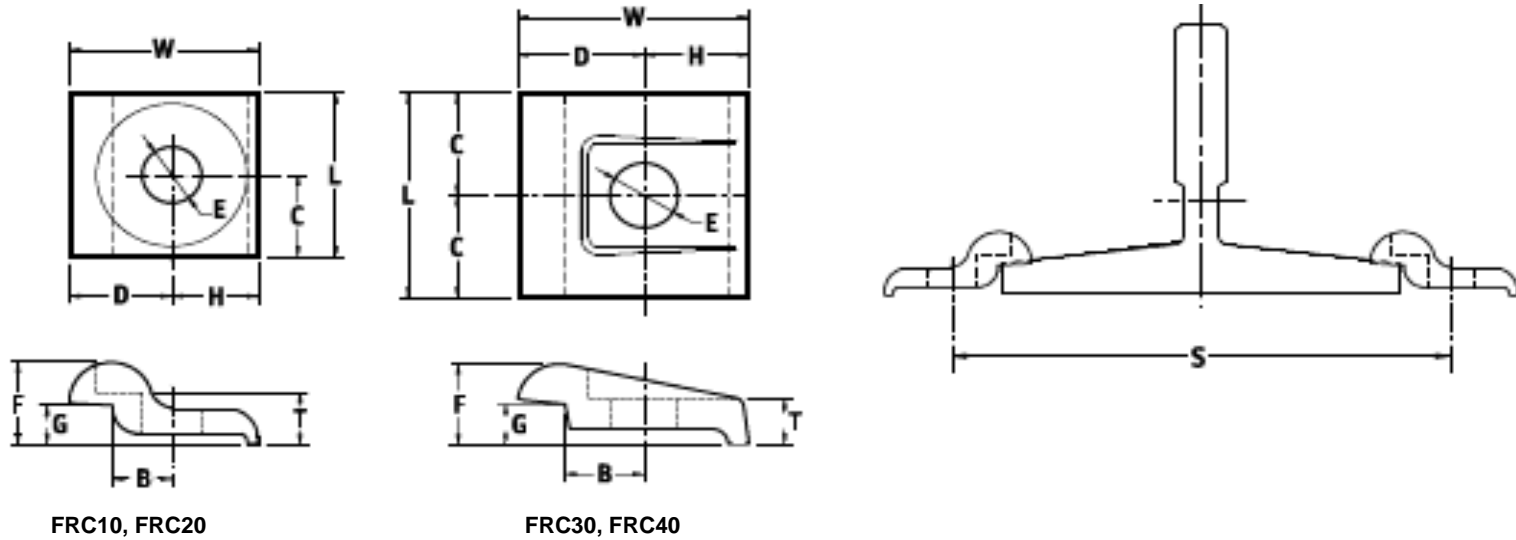


Note:
All dimensions in inches unless otherwise specified.

FORGED CLIPS

Recommended for applications where guide rail stack movement is not expected such as buildings that are not very high.

ZZIPCO P/N	Rail Size	wt/pc (lbs)	l	w	b	c	d	e	f	g	h	t	s
FRC-10	T89	0.18	1.625	1.625	0.500	0.813	0.875	0.563	0.719	0.313	0.750	0.389	4.50
FRC-20	T114	0.42	2.000	2.188	0.688	1.000	1.188	0.688	1.000	0.500	1.000	0.625	5.88
	T127-1	0.42	2.000	2.188	0.688	1.000	1.188	0.688	1.000	0.500	1.000	0.625	6.38
	T127-2	0.42	2.000	2.188	0.688	1.000	1.188	0.688	1.000	0.500	1.000	0.625	6.38
	T140-1	0.42	2.000	2.188	0.688	1.000	1.188	0.688	1.000	0.500	1.000	0.625	6.88
FRC-30	T140-2	0.92	2.563	2.750	0.938	1.281	1.500	0.813	1.000	0.500	1.250	0.625	7.39
FRC-40	T140-3	1.15	3.000	2.750	0.938	1.500	1.500	0.813	1.125	0.750	1.250	0.750	7.39



Note:
All dimensions in inches unless otherwise specified.