

## Installation, Use and Maintenance Instructions

### 1 Buffer Specifications


**Pack**

## Specification of the buffers

ZZIPCO No.	Max. Rated Speed (m/s)	Strike Speed (m/s)	Min. Strike Load ( kg )	Max. Strike Load ( kg )	Stroke (mm)	Max. Overall Free Length (mm)	Interface Dimension (mm)	Holes Dimension (mm)	Outside Dimension (mm)	Weight w/o Oil (Kg)	Volume of Oil (Liter)
ZOBS51	1.00	1.15	600	3500	80 +2/-0	315 +/-(-3)	150×100	4-φ14	190×160	16.5	0.5
ZOBS52	1.60	1.84	600	4545	175+0/-2	540 +0/-6	150×100	4-φ14	190×160	23.2	1.02
ZOBS53	1.80	2.07	600	4545	220 +/-(-1)	640 +/-(-3)	150×100	4-φ14	190×160	25.3	1.27
ZOBS54	2.03	2.34	600	4545	280 +/-(-1)	775 +/-(-3)	150×100	4-φ14	190×160	28	1.6
ZOBS55	2.54	2.92	600	4545	435+2/-0	1125 +/-(-3)	150×100	4-φ14	190×160	38.6	2.45

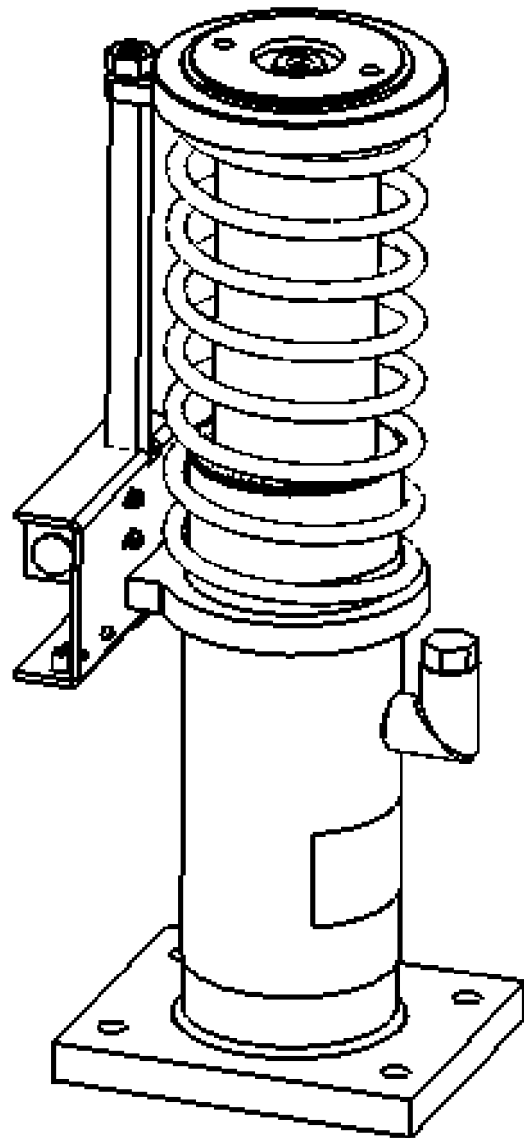
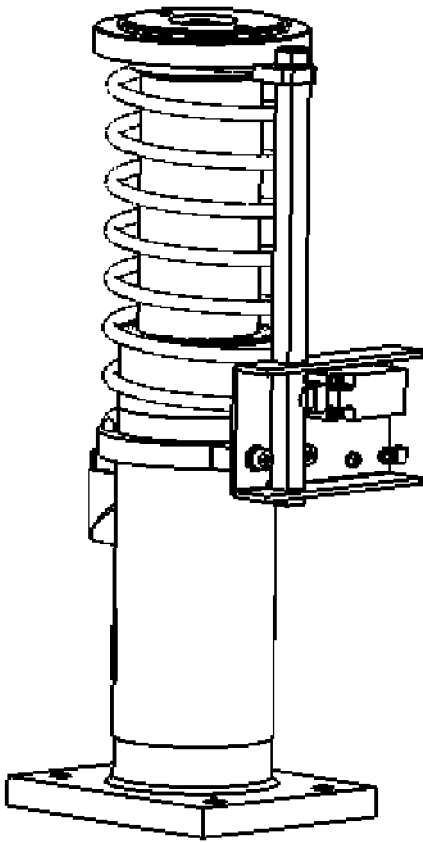
1. Check the packing list and marking plate to ensure the specification data is same.
2. The buffers without switch are given different part No. :ZOB51, ZOB52, ZOB53, ZOB54 and ZOB55.
3. The min working oil level is designed for oil level checking when doing maintenance or regular checking. It is not necessary to add oil when the oil level is above the groove on the elbow cap.. But, when filling oil on the site for the first installation, please refer to the instructions on the **Page 6**.

The buffer is not allowed to be put into use if the oil level is below the min working level







	Duties 1.0-2.54 m/s, 600-4545kg	

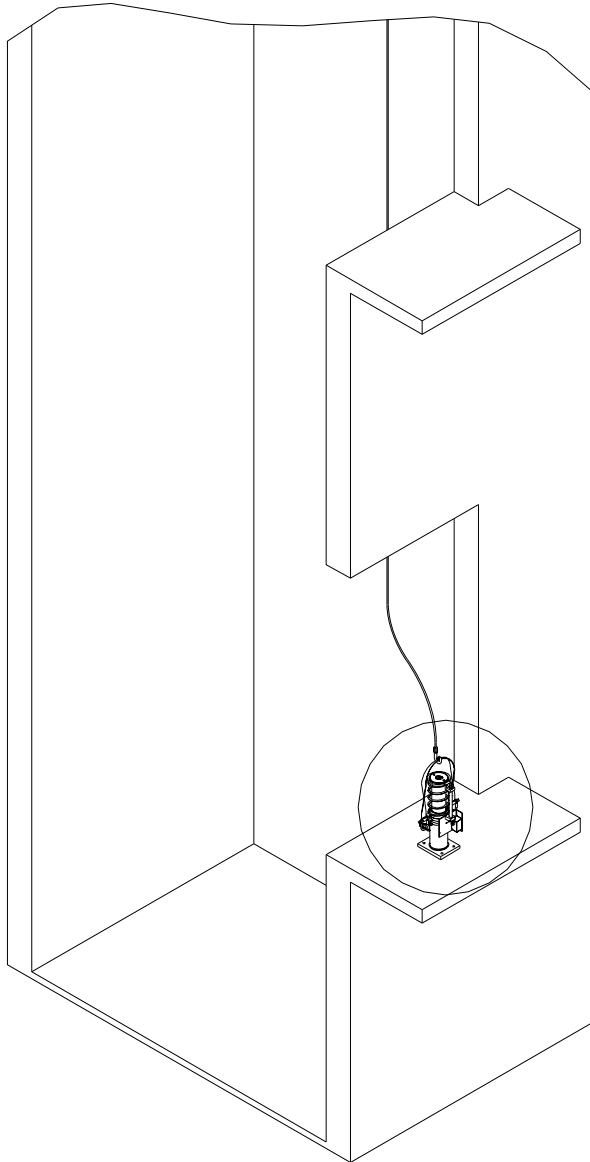
**Installation, Use and Maintenance Instructions**

1	Buffer Specifications		Pack
---	-----------------------	--	------



Buffers have an exposed spring.







		Duties 1.0-2.54 m/s, 600-4545kg						
<b>Installation, Use and Maintenance Instructions</b>								
<b>2</b>	<b>Hoisting and Leveling</b>							<b>Pack</b>

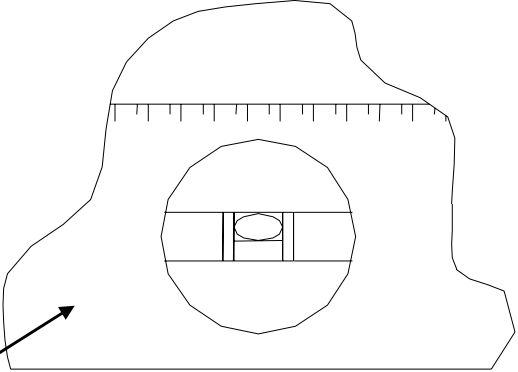
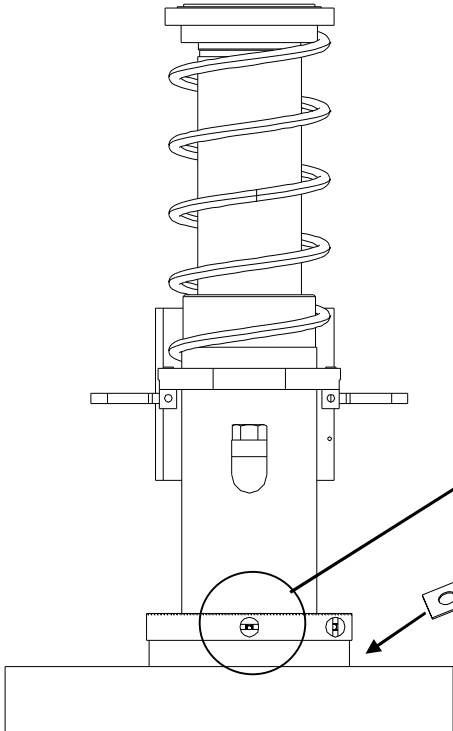


**Caution: do not stand under a suspended load. I**

1<sup>st</sup> Man operate hoist.  
2<sup>nd</sup> Man guide and receive buffer in pit.

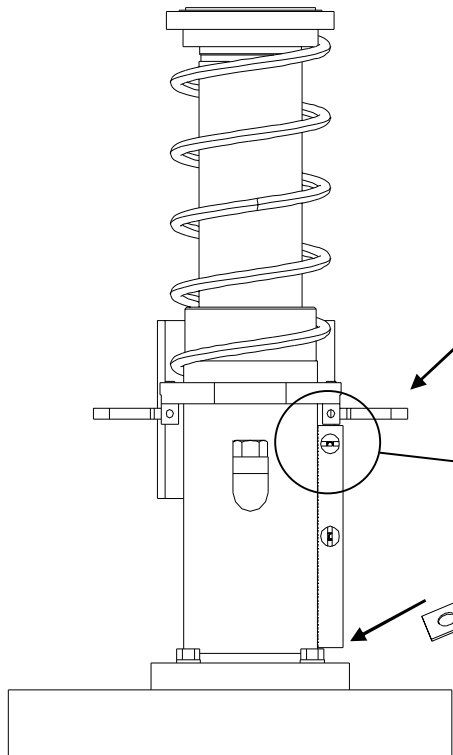
**If the weight of buffer >23Kg (50lb.) No handle is installed on the buffers. Please find correct way to hoist it**

		Duties 1.0-2.54 m/s, 600-4545kg						
<b>Installation, Use and Maintenance Instructions</b>								
<b>3</b>	<b>Leveling</b>							<b>Pack</b>

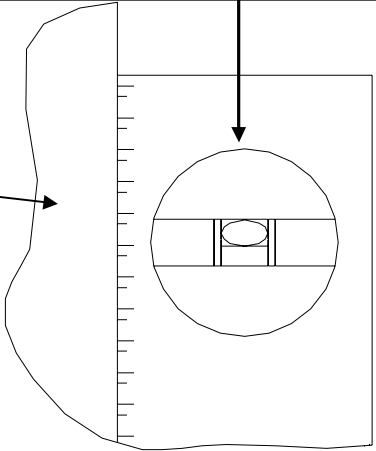







Level baseplate first to get the buffer close to vertical plumb. Add or remove shim to vertically level cylinder.

Buffer shim stock and fasteners supplied with pit hardware. Check job plan drawings.



Buffer cylinder must be vertically plumb with-in 1, (one), degree. (Bubble between the outside lines of level tool.)

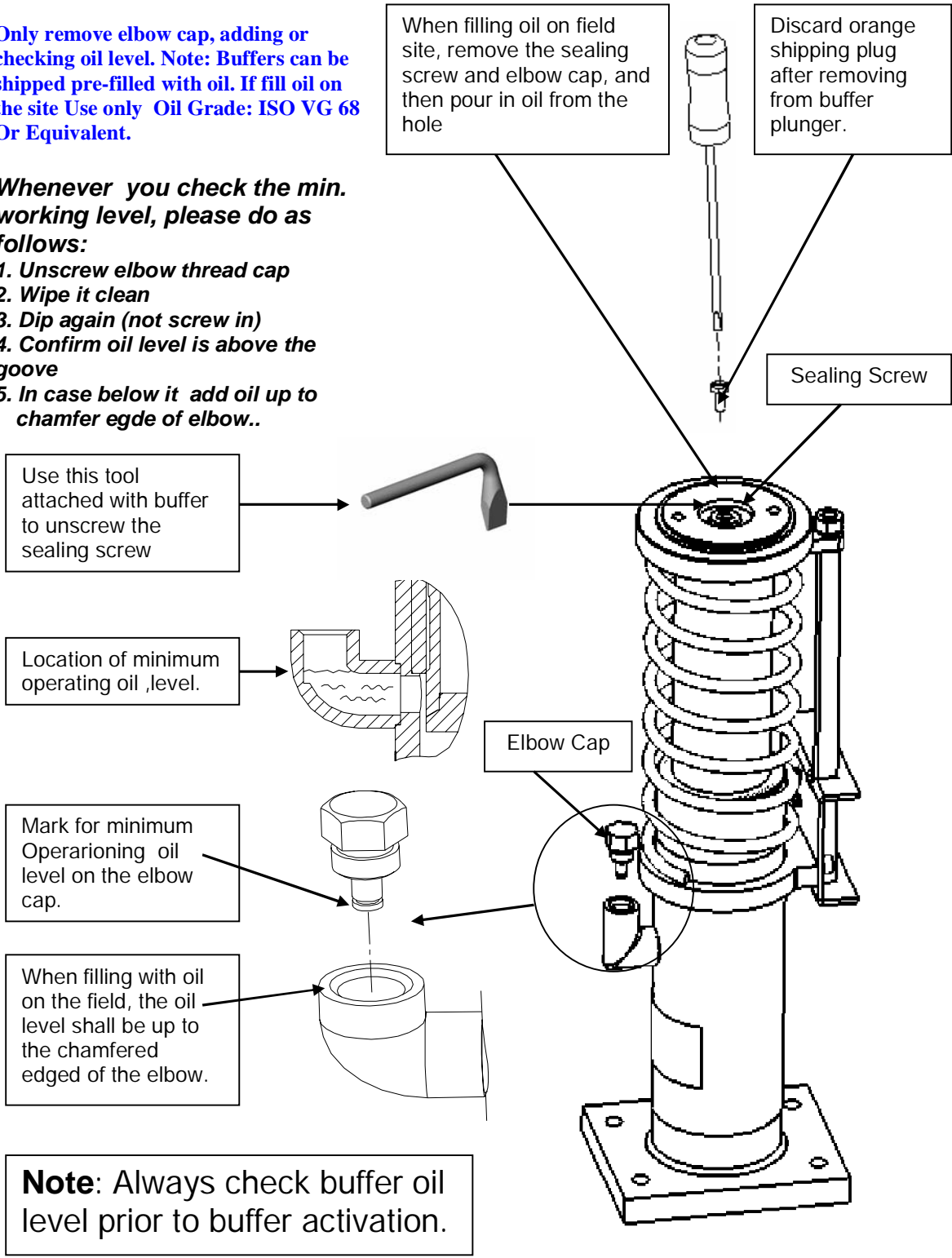








		Duties 1.0-2.54 m/s, 600-4545kg				
<b>Use and Maintenance Instructions</b>						
4	Oil level checking and oil filling					
						Pack

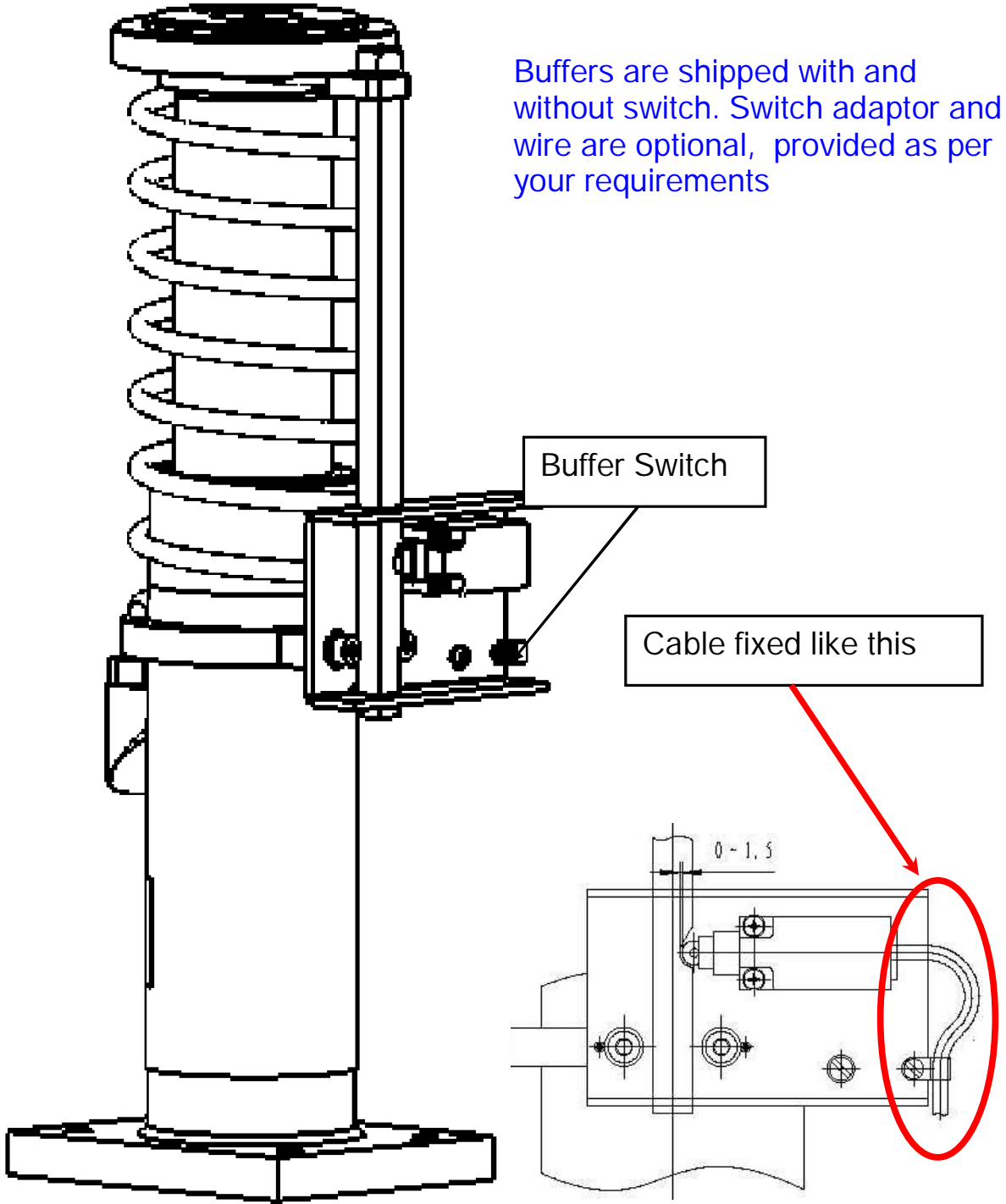
**Only remove elbow cap, adding or checking oil level. Note: Buffers can be shipped pre-filled with oil. If fill oil on the site Use only Oil Grade: ISO VG 68 Or Equivalent.**






**Whenever you check the min. working level, please do as follows:**

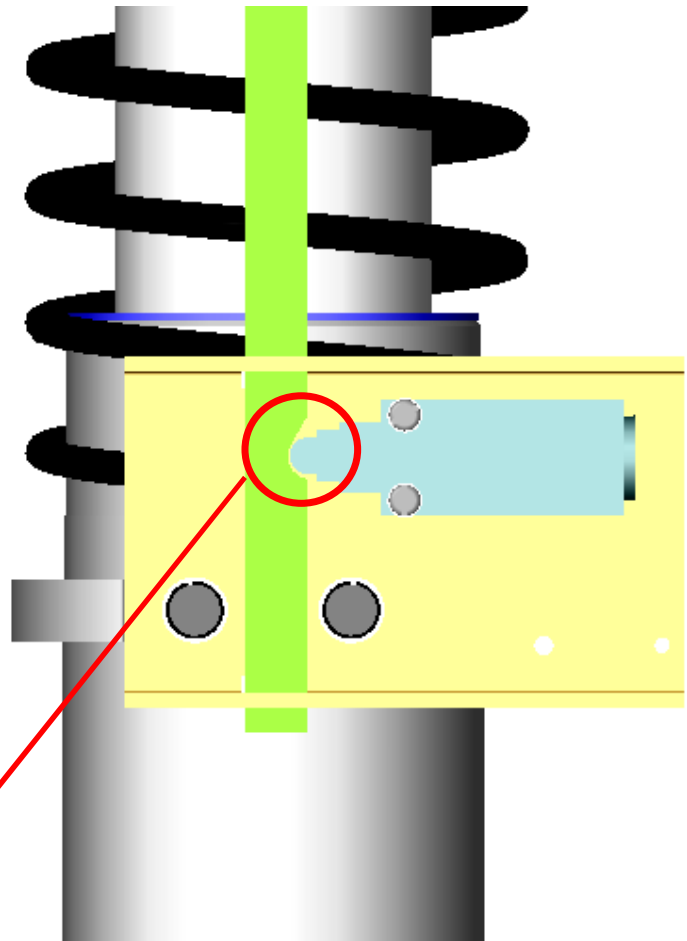
1. Unscrew elbow thread cap
2. Wipe it clean
3. Dip again (not screw in)
4. Confirm oil level is above the goove
5. In case below it add oil up to chamfer edge of elbow..



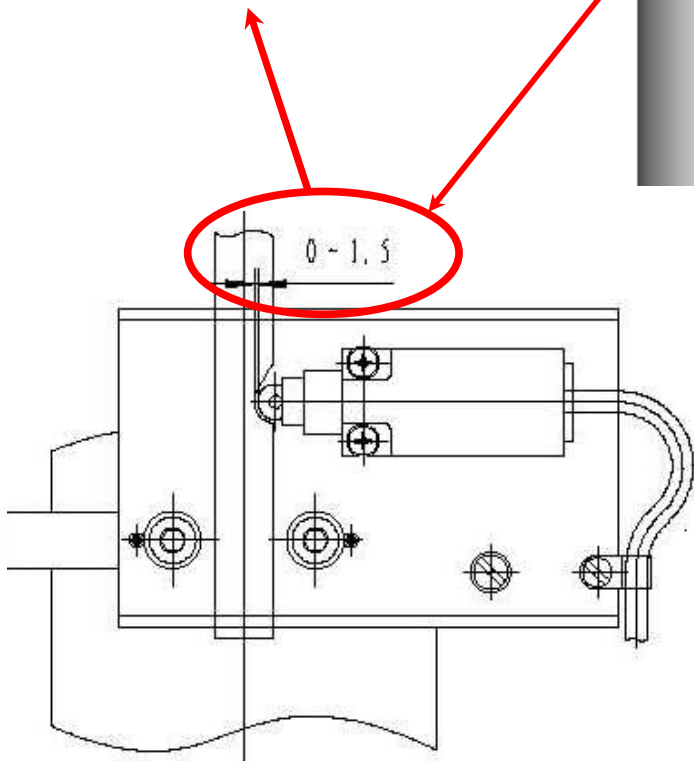
		Duties 1.0-2.54 m/s, 600-4545kg							
	<b>Installation</b>								
5	Switch Adjustment & Wiring							Pack	



		Duties 1.0-2.54 m/s, 600-4545kg				
<b>Installation and Use Instructions</b>						
<b>6</b>	<b>Switch Adjustment</b>					
						<b>Pack</b>

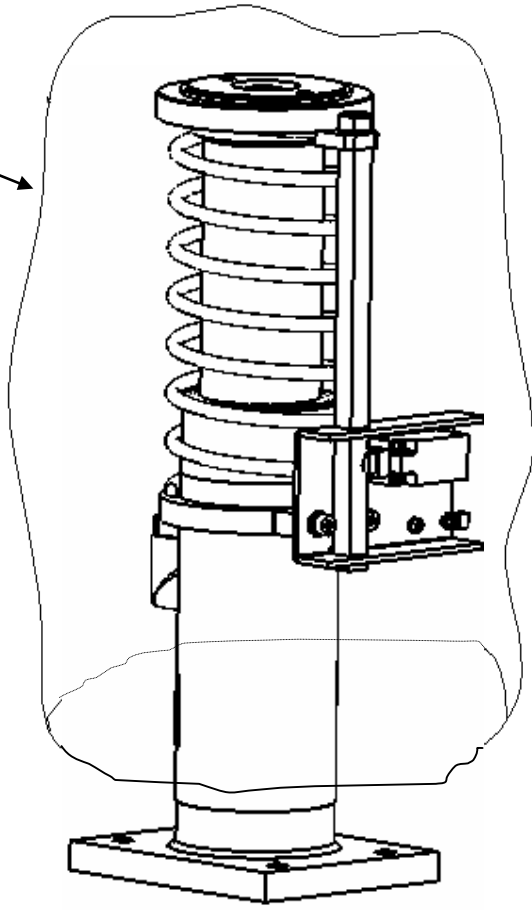


The buffers are already well adjusted before delivery, however, if adjustment is necessary please make sure that the switch is adjusted as the pictures shows



	Duties 1.0-2.54 m/s, 600-4545kg	
<b>Installation and Use Instructions</b>		
Pack		


Plastic shipping bag



**Note:** remove plastic shipping bag before testing.

Use plastic shipping bag over plunger to protect plunger surface during installation if required in your area.  
**Caution: Plastic bag is flammable.**



	Duties 1.0-2.54 m/s, 600-4545kg	
	<b>Installation and Use Instructions</b>	
<b>7</b>	<b>Plunger Protection and Maintenance</b>	
		<b>Pack</b>

Maintenance

1. Whenever the buffer is activated, the oil level checking will be necessary. Please refer to Page 6 for oil level checking.
2. When do regular inspection of the elevator, please check oil level, fully compress the buffer in slow speed to see if it can return freely. Check the buffer to see if any oil leakage happens, if the plunger has rust, if there is any thing on the sealing screw.