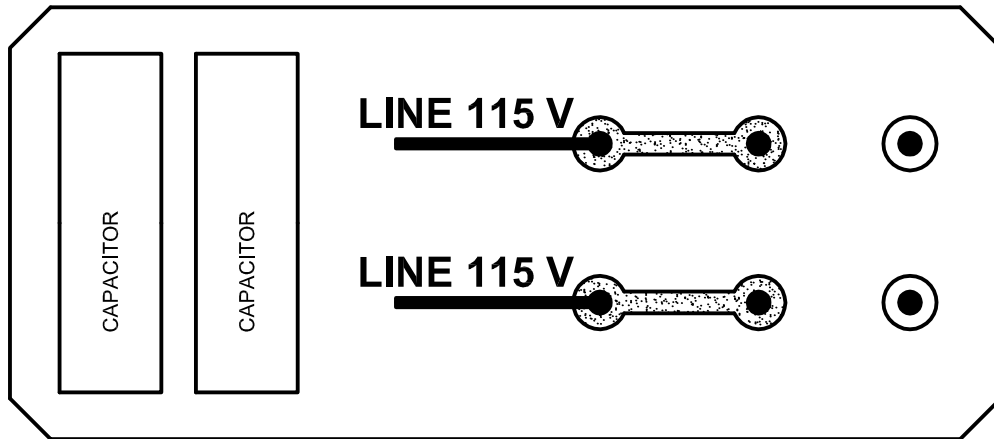


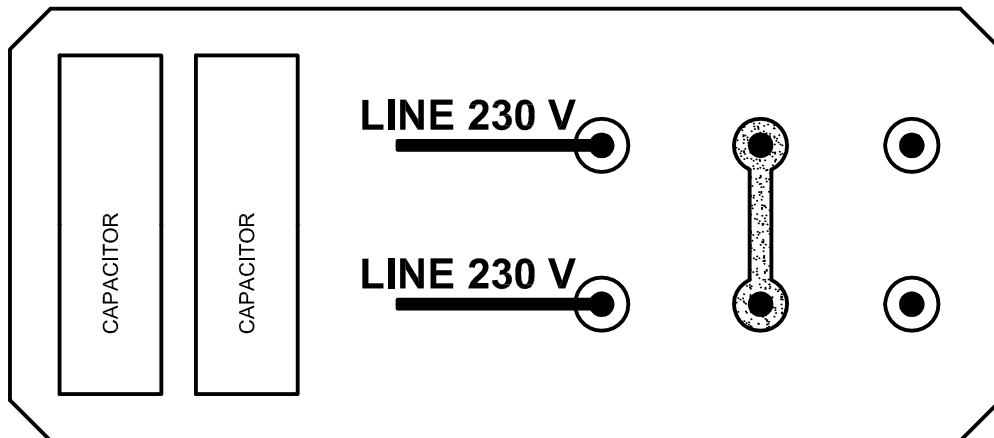
HOOK - UP INSTRUCTIONS



FOR 115 V AC



FOR 230 V AC

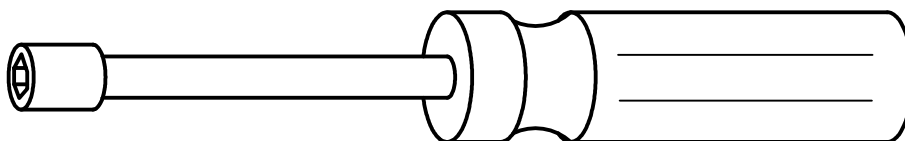


MOTORS ARE FACTORY PRESET FOR 230 V AC

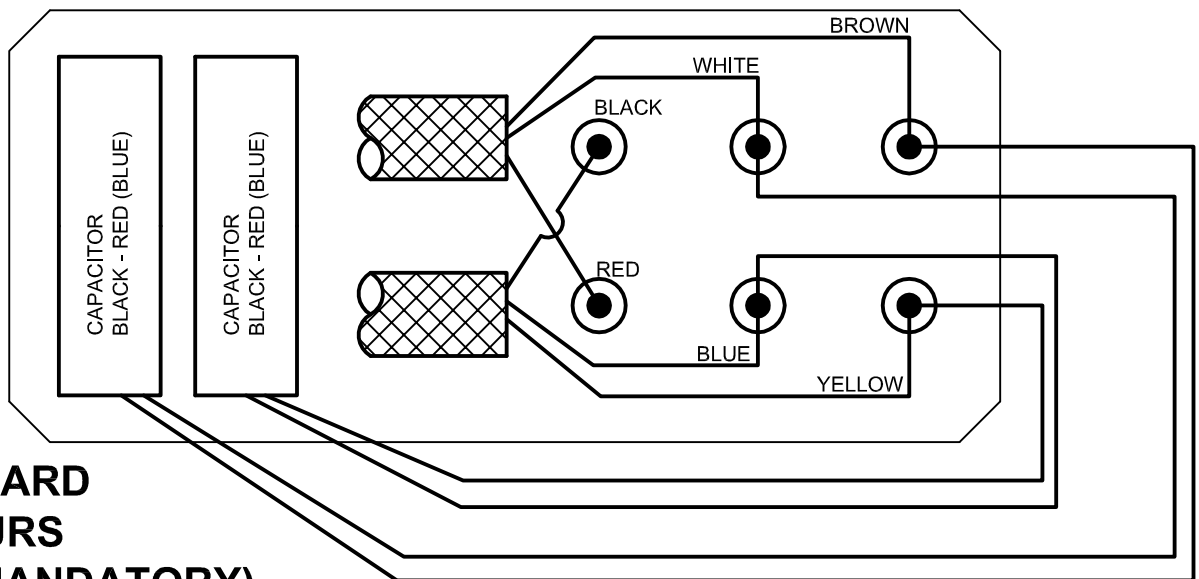


JUMPERS

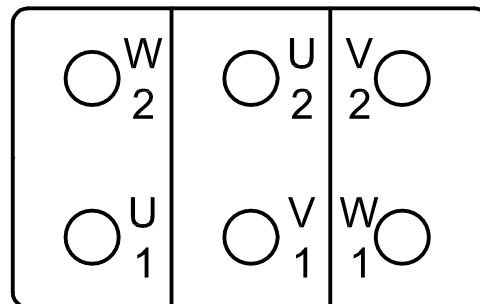
"METRIC" 7 mm TOOL



**DETAILED ADDITIONAL INFORMATIONS
FOR TECHNICAL PEOPLE ONLY
CHECKING SPECIAL CASES**

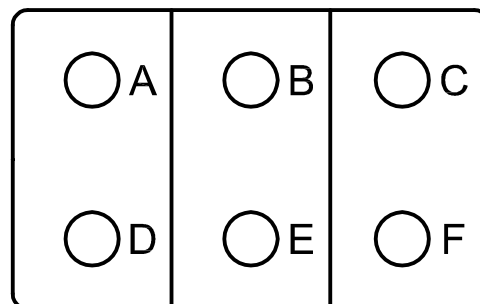


**STANDARD
COLOURS
(NOT MANDATORY)**



DC 5.3 Ω
AF 5.3 Ω
DB 2.2 Ω
AE 2.2 Ω
BC 7.1 Ω
EF 7.1 Ω

} ± 0.2



TO BE MEASURED WITHOUT JUMPERS !